

3D-DNR Miniature Color Camera

AL610SW Weatherproof

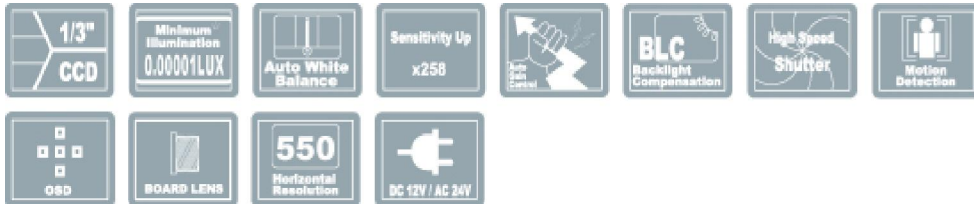


ALLWAN SECURITY

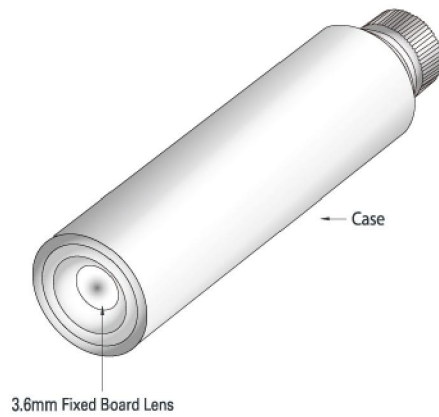
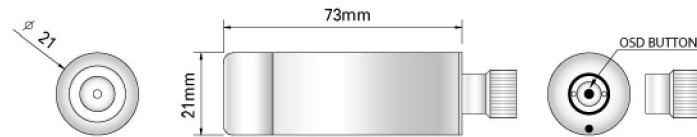


General Features

1/3j± Sony Super HAD CCD
Highest Color Resolution of 550 TV Line
Highest Resolution Vivid Sharp Picture in completely darkness
Free Adjustable of BLC, MD Area
Privacy Masking of Maximum 8 Area
3.6mm Fixed Board Lens(4/8/12mm:Option)
OSD(On Screen Display) Control Funct



CAD



SPECIFICATION

MODEL	AL610SW DNR
Sensor	1/3" SONY SUPER HAD CCD
Total Pixels	NTSC=811(H) * 508(V) / PAL=795(H) * 595(V)
Effective Pixels	NTSC=768(H) * 494(V) / PAL=752(H) * 582(V)
Scanning System	2:1 Interlace
Synchronization	Internal / Line Lock
O.S.D	Available
Backlight	BLC / HSBLCL / Off Selectable
Resolution	550TV Lines(Color), 600TV Lines(B/W)
S/N (Y signal)	52dB (AGC Off, Weight On)
Min. Illumination	0.00001Lux (Sens-Up X258)
White Balance	ATW / AWB / Manual / AWC _i æSET
Electronic Shutter Speed	Auto(1/60sec ~ 1/120,000sec)
Sense-Up	Off / Auto(Selectable limit *2 ~ *258)
Gain Control	High, Middle, Low, Off Selectable
3 DNR	Off/On (1~50 Level Adjustable)
D-WDR	Indoor / Outdoor / Off
Motion Detection	On/Off (4 Zone, Alarm Output)
Privacy	On/Off (8 Zone)
Mirror	Off / Mirror / V-Rev / Rotate
Freeze	On/Off
Sharpness	0~31 _i (Level Adjustable)
D&N Selection	Color / BW / Auto
Digital Zoom	On(*32) / Off
Blemish Compensation	256 Point (Even 128 Point, ODD 128 Point)
Power	DC 12V
Power Consumption	120mA
Lens	3.6mm Fixed Board Lens
Operating Temp.	-10~+50 Deg C.RH 95% Max.
Storage Temp.	-20~+60 Deg C.RH 95% Max.
Dimension	21mm(W)*21mm(H)*73mm(D)
Weight	60g